



# CK2510

25 HP



# CK2510

**TOUGH JOBS NEED A TOUGHER TRACTOR.**

Looking for a durable compact tractor?  
Look no further than the CK2510.  
With the power, performance and comfort you need,  
sounds like it's time for a test drive.

**Manual or HST**

**Eco-Friendly Diesel Engine**

**Great Value**

**Open Station Platform**

**High Ground Clearance**

**Single Lever Joystick**





KIOTI KB2465





### Power Steering

Hydrostatic power steering minimizes the effort required to make tight, repetitive turns.

### Illuminated Dashboard

The dashboard illuminates when the engine is started ensuring great visibility while working in bright daylight or at night.

### Comfortable Seat with Suspension

With a high quality adjustable suspension seat the operator enjoys a comfortable and smooth ride. A seat belt is included for safety.

### 3-Point Hitch

With an adjustable right side lift rod and top link, you can easily and quickly attach implements.

### Cruise Control (HST Only)

The convenient and easy to use cruise control enables the operator to match speed to field conditions and reduce fatigue.

### Hydrostatic Transmission (HST Only)

The HST model utilizes a performance proven, heavy-duty HST that delivers power smoothly and efficiently. A single directional pedal allows speed and direction changes without clutching or shifting. With the HST drive your hands remain free for steering and implement control.

### Single Lever Joystick

The operation of the front loader is made easier by the use of a single lever joystick. The lever automatically returns to neutral and the loader stops in place when the joystick is released. A float position allows the bucket free floatation over the ground surface.

# EXPERIENCE THE POWERFUL CK2510



## Eco-Friendly Diesel Engine

The eco-friendly diesel engine provides powerful performance and improves fuel efficiency while reducing noise levels. With this eco-friendly Tier 4 engine, the 24.5 HP engine offers the operator a quiet work environment with powerful performance.

## Compact Design

The streamlined hood design improves visibility and serviceability for the operator. A vertical opening hood allows for easy access to the air filter, fluid service, fuse box and electrical components.



## Hi/Low Speed Ranges

The CK2510 features a Hi/Low range transmission to maximize performance and efficiency.

## Increased Hydraulic Pump Capacity

The 11.3 gallon hydraulic pump capacity allows for faster implement work and better overall work efficiency.

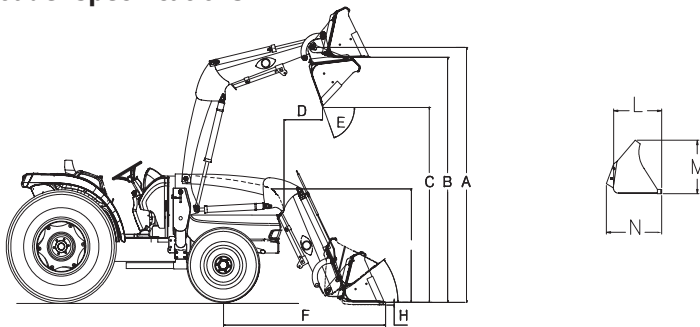
## Foldable ROPS

The standard fold-down roll bar makes it quick and easy to maneuver in low clearance areas.

## Front End Loader

The KIOTI KL2510 front end loader is specially designed for the CK2510 tractor, providing efficient performance with single joystick control and a quick attach bucket. The KIOTI loader is designed for quick and easy attachment and detachment.

## Loader Specifications



Cycle Times	1,500 rpm	2,000 rpm	2,600 rpm (Full)
Raise Boom Frame	4.3 sec	3.2 sec	2.5 sec
Lower Boom Frame	2.3 sec	1.7 sec	1.5 sec
Dump Bucket	5.5 sec	4.4 sec	3.5 sec
Retract Bucket	3.4 sec	2.5 sec	1.5 sec

\* Specifications and design are subject to change without notice.

MODEL	KL2510
A Maximum Lift Height to Pivot Pin	87.8 in. (2,230 mm)
B Clearance w/ Bucket Level	84.3 in. (2,141 mm)
C Clearance w/ Bucket Dumped	67.2 in. (1,706 mm)
D Reach at Maximum Height	31.5 in. (800 mm)
E Maximum Dump Angle	53°
F Reach w/ Bucket on Ground	59.8 in. (1,520 mm)
G Maximum Rollback Angle	35°
H Digging Depth Below Grade	3.9 in. (99 mm)
J Overall Height in Carry Position	40 in. (1,016 mm)
L Bucket Depth (Inner Shell)	19.9 in. (505 mm)
M Bucket Height	20.7 in. (526 mm)
N Bucket Length (Pivot Pin)	26.9 in. (682 mm)
Lift Capacity to Full Height at Pivot Pins	1,092 lbs. (495 kg)
Breakout Force at Pivot Pins	1,843 lbs. (836 kg)
Bucket Rollback Force at Ground Line	1,416 lbs. (642 kg)
Relief Valve Setting (Loader Control Valve)	2,275 psi
Rated Flow (Tractor System)	6.86 gpm (26 L/min)
Bucket Size Available (QA)	50 in. (1,270 mm)
Approximate Weight (With Bucket)	605 lbs. (274 kg)
Bucket Capacity (Heaped)	7.8 cu. ft.

\* Specifications and design are subject to change without notice.



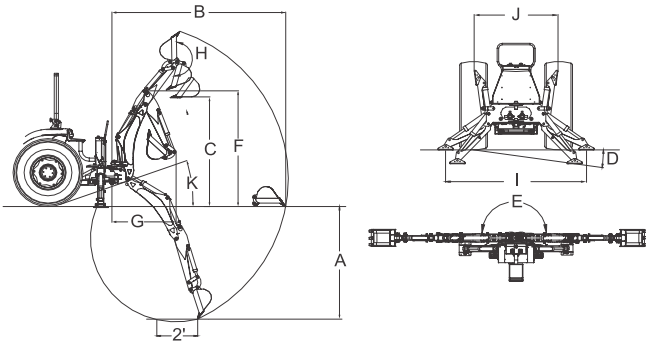
**KIOTTI VALUE TRACTOR**



## Backhoe

The subframe mounted KB2465 backhoe can be easily attached and detached using locking pins and quick-connect hydraulics. The backhoe's offset subframe design provides a large approach angle for the easiest trailer loading in its class.

### Backhoe Specifications



#### Cylinders

Cylinder	Bore DIA	Retracted Length	Stroke	Rod DIA
Boom	2.75"	23"	15.1"	1.57"
Bucket	2.36"	21"	11.7"	1.38"
Dipperstick	2.36"	20.6"	11.9"	1.38"
Swing	2.36"	15.67"	8.78"	1.38"
Stabilizer	2.36"	17.5"	10.31"	1.38"

\* Specifications and design are subject to change without notice.

MODEL	KB2465
A Digging Depth (Two Foot Flat Bottom)	76.3 in. (1,940 mm)
B Reach from Center Line of Swing Pivot	113.1 in. (2,875 mm)
C Loading Height (Bucket at 60°)	63.6 in. (1,615 mm)
D Maximum Leveling Angle	10°
E Swing Arc	180°
F Transport Height (Maximum)	77.2 in. (1,960 mm)
G Transport Overhang	43.5 in. (1,105 mm)
H Bucket Rotation	180°
I Stabilizer Spread (Down Position)	68.7 in. (1,745 mm)
J Stabilizer Spread (Up Position)	46.4 in. (1,180 mm)
K Angle of Departure	21°
Shipping Weight (Without Bucket)	1,036 lbs. (470 kg)
Bucket Digging Force	2,817.5 lbs. (1,278 kg)
Dipperstick Digging Force	1,748 lbs. (793 kg)
Operating Pressure	2,466 psi (170 bar)

#### Buckets

Bucket	Teeth Quantity	Struck Capacity	Heaped Capacity	Shipping Weight
9" Bucket	3	0.73 cu. ft.	0.87 cu. ft.	46 lbs.
12" Bucket	3	1.01 cu. ft.	1.24 cu. ft.	56 lbs.
16" Bucket	3	1.38 cu. ft.	1.76 cu. ft.	64 lbs.
18" Bucket	4	1.56 cu. ft.	2.02 cu. ft.	70 lbs.
24" Bucket	5	2.11 cu. ft.	2.82 cu. ft.	94 lbs.
36" Muck Bucket	6	2.78 cu. ft.	4.00 cu. ft.	114 lbs.

\* Specifications and design are subject to change without notice.

## Mid Mount Mower

### KM2560 Specifications

- Drive Over Deck Design
- Easy & Effortless Operation
- Superior Cut & Quality

MODEL	KM2560
Compatible Tractor Model(s)	KIOTI CK2510/CK2510H
Cutting Width	60 in. (1,524 mm)
Overall Width	74 in. (1,879.6 mm)
Cutting Height Range	1.5 in. (38.1 mm) - 4.5 in. (114.3 mm)
Deck Shell Thickness	10 gauge / .1345 in. (3.4163 mm) / Grade 50 Steel
Spindle Speed @ 2,800 RPM	3,334 RPM
Shipping Weight (60" Deck and Mounting)	411 lbs. (186.43 kg)

MODEL	KM2560
BLADE	
Blade Tip Speed	18,343 ft/min
Number of Blades	3
Blade Length	21 in. (533.4 mm)
Blade Width	2.5 in. (63.5 mm)
Blade Thickness	.25 in. (6.35 mm)

\* Specifications and design are subject to change without notice.



ISO 9001  
NO.954596



ISO 14001  
NO.771475



OHSAS 18001  
NO:K033008

## SPECIFICATIONS

MODEL	CK2510		CK2510H
<b>ENGINE</b>			
Model	3A165LWB		
Type	3Cyl., In-line Vertical, Water-cooled 4-cycle diesel engine		
Engine Gross	hp (kW)	24.5 (18.2)	
PTO @ Rated PTO rpm	hp (kW)	19.5 (14.5)	19.0 (14.2)
Displacement	cu. in. (cc)	100 (1,647)	
Rated Revolution	rpm	2,600	
Fuel Tank Capacity	US gal. ( ℓ )	6.6 (25)	
<b>DRIVE TRAIN</b>			
Clutch	Dry single		
Transmission	Manual	Hydrostatic	
Speeds	6F/2R	Infinite, 2 range	
Differential Lock	Rear Standard		
Brake	Wet Disc Type		
PTO Type	Transmission	Live	
Rear PTO (Standard)	rpm	540	
Mid PTO (Optional)	rpm	2,000	
4WD Type	Mechanical Engagement		
<b>HYDRAULIC SYSTEM</b>			
Pump	Gear		
Pump Capacity (Max. Flow Rate)	gpm (L/min)	11.3 (42.9)	
3-Point Hitch	Category I		
Maximum Lifting Capacity (24" aft. of hitch)	lb. (kg)	1,203 (546)	
Hydraulic Lift Control System	Position		
Number of Remote Valves	(1 Optional)		
Steering	Power Steering		
<b>TIRE SIZE</b>			
Front AG. (Turf, Industrial)	7.0-12 (23×8.5-12, 23×8.5-12)		
Rear AG. (Turf, Industrial)	11.2-16 (33×12.5-16.5, 12-16.5)		
<b>TRAVELING SPEEDS</b>			
Forward	mph (km/h)	0.75-10.8 (1.20-17.34)	0-10.7 (0-17.15)
Reverse	mph (km/h)	0.92-4.2 (1.48-6.73)	0-7.46 (0-12.01)
<b>DIMENSIONS</b>			
Overall Length (Includes 3-pt Hitch)	in. (mm)	109.08 (2,771)	
Overall Width (Minimum Tread)	in. (mm)	49.2 (1,250)	
Overall Height (From Top of ROPS)	in. (mm)	82.8 (2,103)	
Wheelbase	in. (mm)	59.8 (1,519)	
Min. Ground Clearance	in. (mm)	13.4 (340)	
Tread	Front (AG.)	in. (mm)	37.8 (960)
	Rear (AG.)	in. (mm)	37.4 (950)
Min. Turning Radius (With Brake)	ft. (m)	8.3 (2.53)	
Weight with AG. Tires	lb. (kg)	2,260 (1,025)	

\* NOTE : Specifications and design are subject to change without notice.

## STANDARD EQUIPMENT

- Hydrostatic Power Steering
- Rear PTO
- Headlights
- Safety Lights
- Cup Holder
- Illuminated Dashboard
- Wet Multi Disc Brakes
- Joystick Valve
- Adjustable Seat
- Parking Brake
- Cruise Control (HST model only)

## OPTIONAL EQUIPMENT

- Single Remote Hydraulic Valve
- Rear Working Light
- Front Weight
- 7 pin Socket
- Mid PTO
- 3rd Function Kit
- Sun Canopy
- Clevis Type Drawbar
- Field Option Cab

## ATTACHMENTS

- Front End Loader
- Mid-Mount Mower
- Backhoe
- Contact your local KIOTI dealer for available implements.



**KIOTI Tractor Division**  
DAEDONG - USA, INC.  
6300 KIOTI Drive, Wendell, NC 27591 USA  
Toll free 877-GO-KIOTI • Fax 919-374-5001  
Web [www.KIOTI.com](http://www.KIOTI.com)

